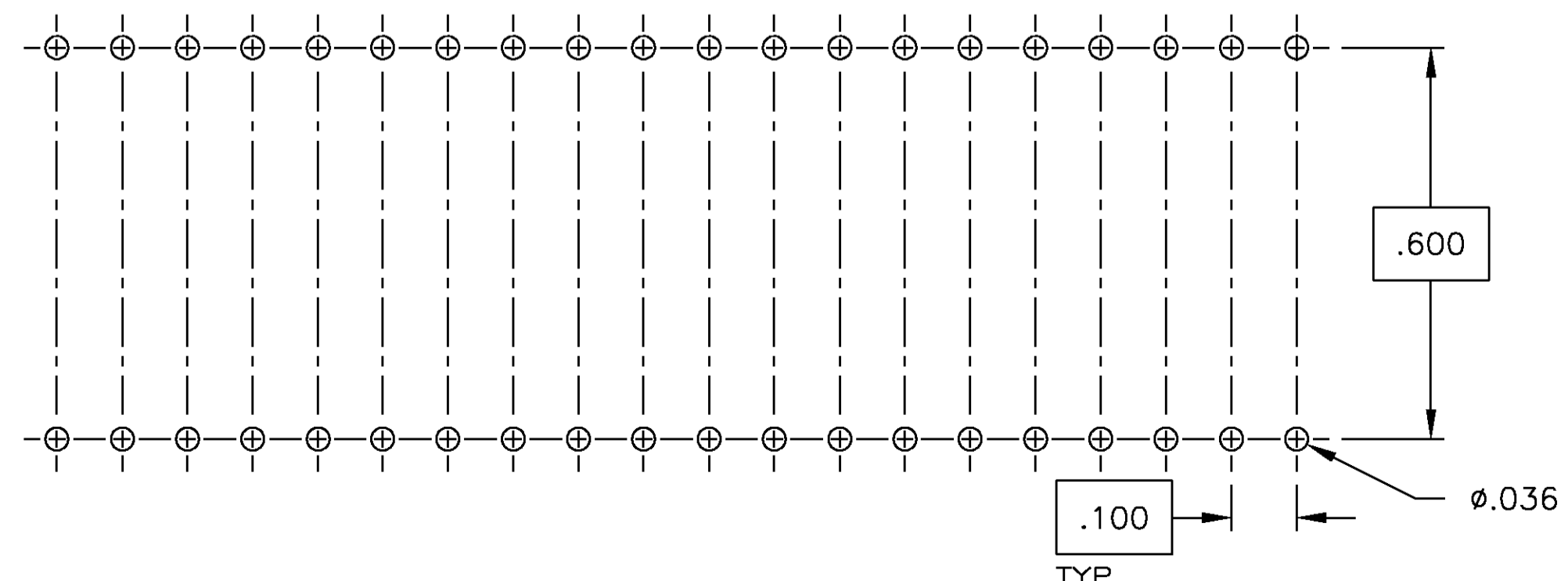
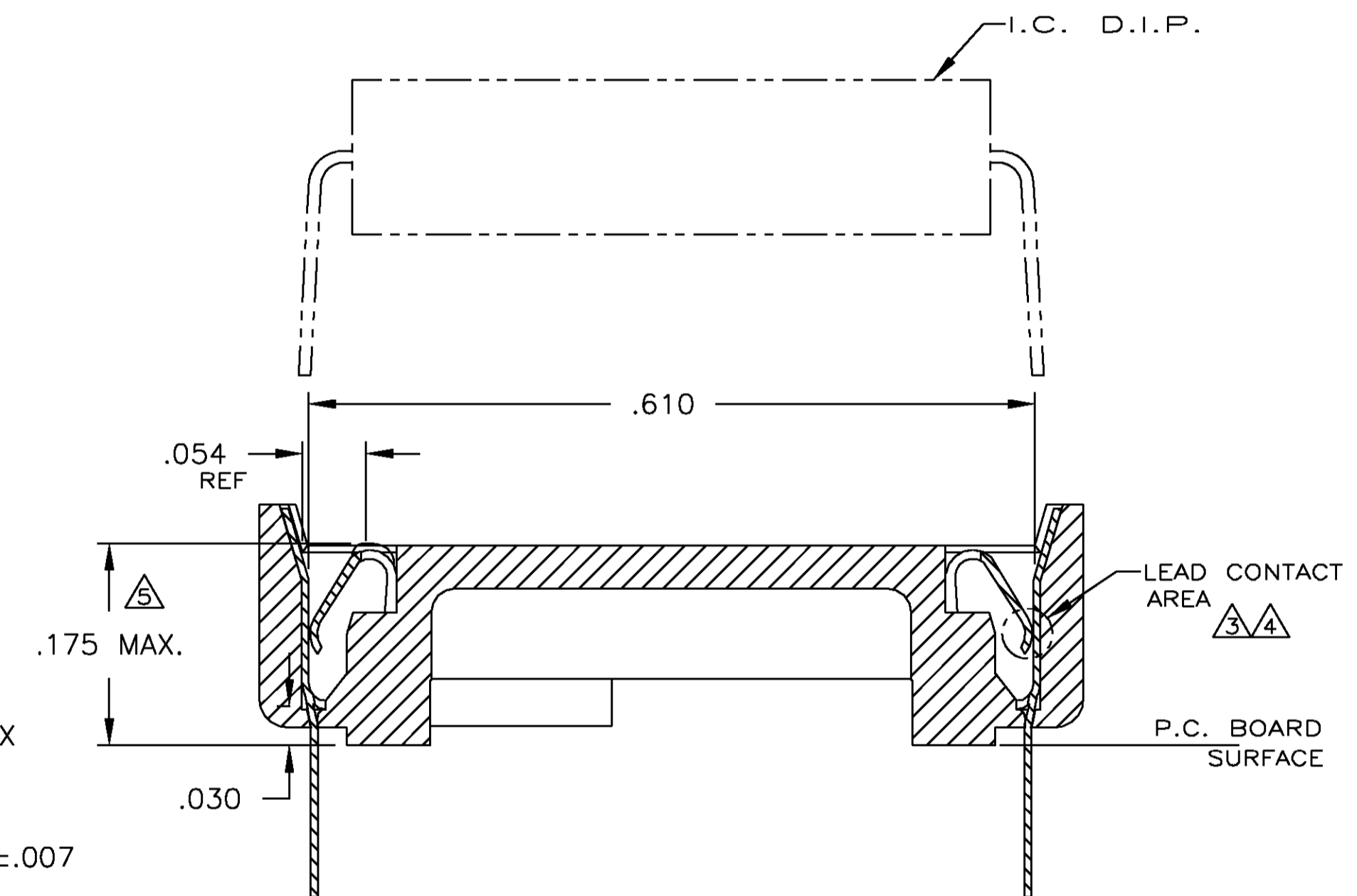
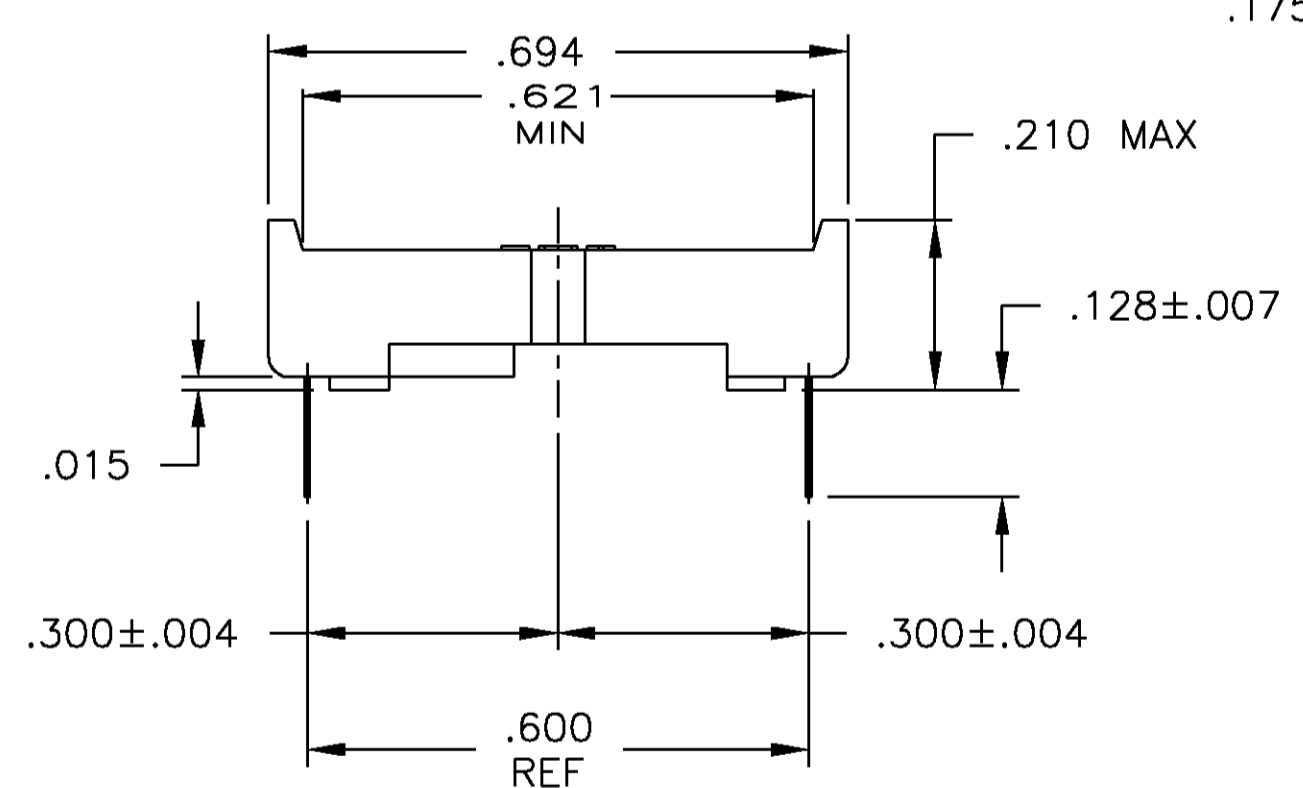
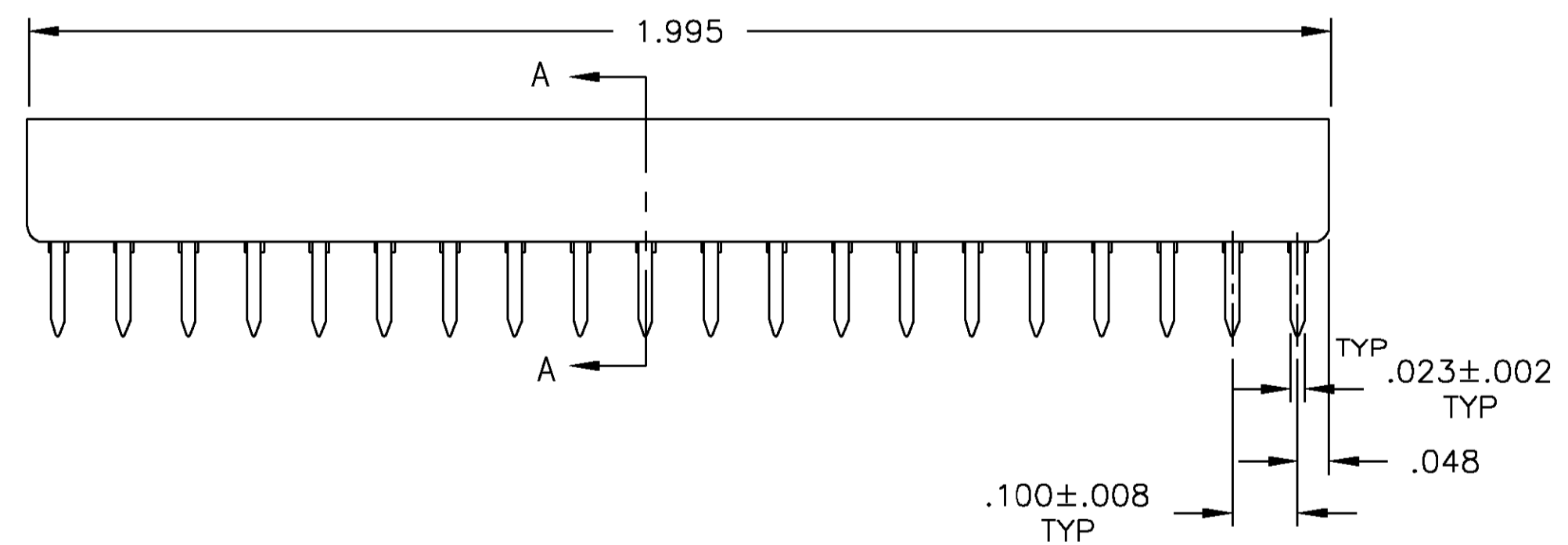
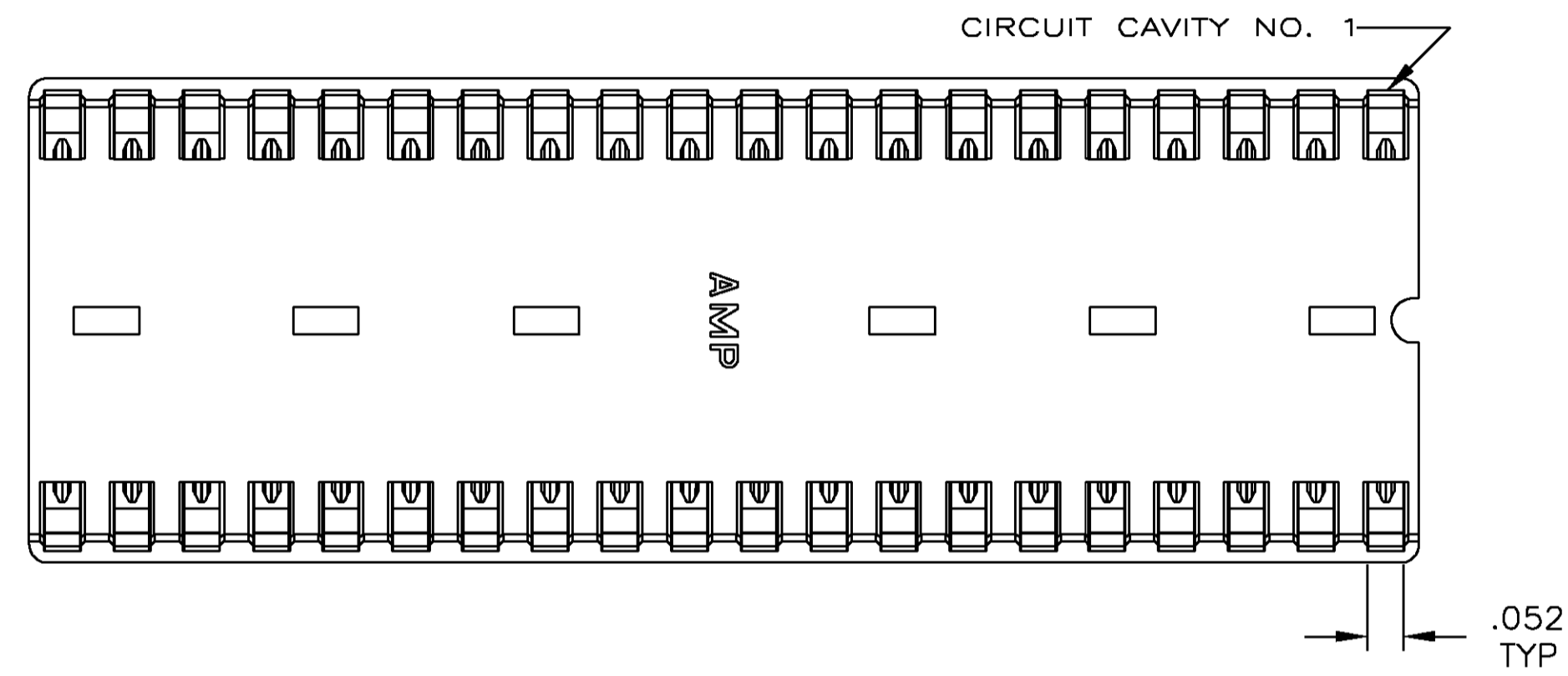


1. RECEPTACLE ACCEPTS A .008-.014 THICK I.C. LEAD.
2. TUBE LOADED FOR AUTOMATIC INSERTION.
3. TWO .000030 MIN THK. GOLD STRIPES IN CONTACT AREA WITH TIN-LEAD (93/7) ON CONTACT LEGS, BALANCE OF CONTACT NICKEL PLATED.
4. TWO .000015 MIN THK. GOLD STRIPES IN CONTACT AREA WITH TIN-LEAD (93/7) ON CONTACT LEGS, BALANCE OF CONTACT NICKEL PLATED.
5. MAXIMUM DIMENSION FOR I.C. SEATING PLANE.



RECOMMENDED MOUNTING HOLE PATTERN  
SCALE 4:1

SUPSD BY 390262-5	PHOS.BRZ. .006 THK	GLASS-FILLED THERMOPLASTIC, 94V-0, BLACK	2-640379-4
	TINNED	PHOS.BRZ. .006 THK	GLASS-FILLED THERMOPLASTIC, 94V-0, BLACK
		BE.CU. .006 THK	GLASS-FILLED THERMOPLASTIC, 94V-0, BLACK
SUPSD BY 390262-5	TINNED	BE.CU. .006 THK	GLASS-FILLED THERMOPLASTIC, 94V-0, BLACK

CONTACT FINISH	CONTACT MAT'L	HOUSING MATERIAL	PART NO.

THIS DRAWING IS A CONTROLLED DOCUMENT.		DRW	20FEB97
		CHK	20 FEB 97
		APPD	20 FEB 97
		NAME	
		DESIGN	
		PRODUCT SPEC	
		APPLICATION SPEC	
		SIZE	
		WEIGHT	
		CUSTOMER DRAWING	

AMP Tyco Electronics Corporation Harrisburg, PA 17105		SOCKET ASSY, DIP, 40 POS, DIPLOMATE DL	
SIZE	CAGE CODE	DRAWING NO	RESTRICTED TO
A1	00779	640379	
SCALE	SHEET	OF	REV
5:1	1	1	AB